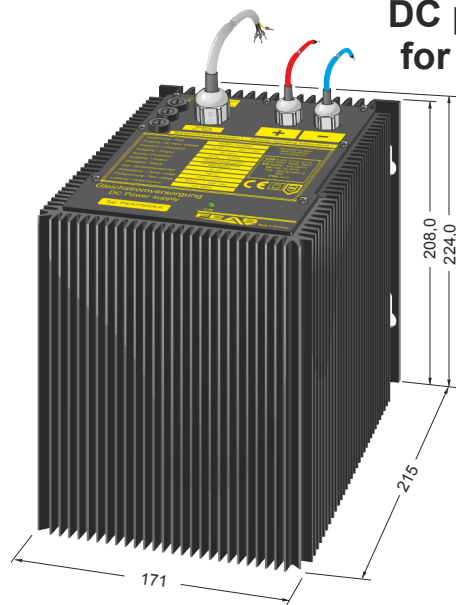


DC power supply unregulated for 3 x 400VAC input voltage type PS3U750-K



- Output separated according to VDE 0551
- Extra low safety potential PELV (EN 60204), SELV (EN 60950), **except PS3U750130-K**
- Parallel connection possible
- Suitable for the tropics - Epoxy resin casted
- Operating status shown by LED
- Safety acc. to VDE, EN, UL, CSA
- Normal cable length approx. 1,0m longer cables possible

Technical data

Input data		
Input voltage AC	3 x 400VAC	45 - 66 Hz
Input voltage tolerance	-20% to +15%	
Input current each phase at nominal load	at 3 x 400VAC max. 1.3A each phase	
Protective circuit	-	
Hold-up time	20 mSek. typ.	

Output data	
Output voltage $U_{Nominal}$	see table below
Output current $I_{Nominal}$	see table below
Current limiting	-
Residual ripple (100Hz)	< 2%

Control data	
Control deviation load	-
Control deviation supply	-
Control time	-

Operating data	
Duty circle	100%
Operating temperature range	-30°C to +70°C
Derating	-
Storage temperature range	-30°C...+105°C
Cooling	selfcooling
	recommended respective distance 15mm each

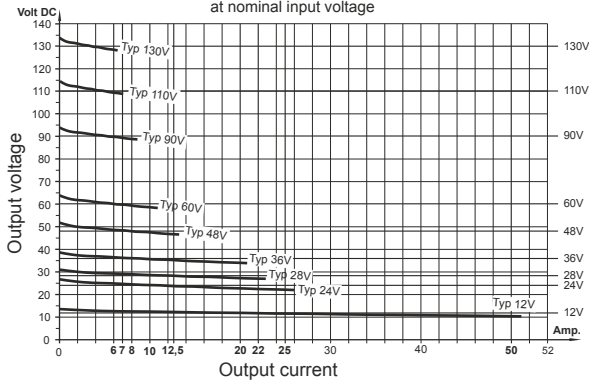
Safety devices	
Fuse for input	3.15A delayed each phase, integrated into the device
Fuse for output	in dependency of nominal output current
Overload protection	-
MTBF	>400.000 h

Safety data	
Test voltage transformer	5 kVacc in accordance to VDE 0551
High voltage resistance	Primary circuit - secondary circuit 3.75 kVacc acc. to VDE 0806 / IEC 380
Degree of EMI suppression	< K acc. to VDE 0875 and VDE 0877
Protection class	Class 1 with PE-Connection (EN 60950)
Extra low safety potential	PELV (EN60204), SELV (EN 60950)
Ambient humidity	95% relative humidity, yearly average dewing allowed for use in tropical ambient
Protective class enclosure	IP 65
Protective class terminals	-
Vibration proof	>30g at 33Hz in X,Y and Z, acc. to IEC 60068-2-27

Applied construction regulations	
according to VDE	VDE 0100, 0110, 0113, 0551, 0160/W2, 0806
IEC	IEC 60950, IEC61000-6-1-2, IEC60068-2-3 IEC 60068-2-11-52, IEC 60529, IEC 380
EN	EN60950, EN50082-1 EN61000-6-1-2, EN50178, EN50204, EN61558-2-17 EN60204, EN60529, EN61000-4-2-3-4-5-6-8-11 EN60068-1, EN60068-2-1-2-3-6-27-30 EN45501, EN50021
CSA / UL	CSA-C 22.2 / UL60950, UL508, UL1950

Mechanics	
Mounting	wall mounting with screws

Load current diagram
at nominal input voltage



Nominal output voltage	12.0V _{DC}	24.0V _{DC}	28.0V _{DC}	36.0V _{DC}	48.0V _{DC}	60.0V _{DC}	90.0V _{DC}	110.0V _{DC}	130.0V _{DC}
Range of adjustment output voltage	-	-	-	-	-	-	-	-	-
Type	PS3U 75012-K	PS3U 75024-K	PS3U 75028-K	PS3U 75036-K	PS3U 75048-K	PS3U 75060-K	PS3U 75090-K	PS3U 750110-K	PS3U 750130-K
Nominal output current	50.0Amp.	25.0Amp.	22.0Amp.	20.0Amp.	12.5Amp.	10.0Amp.	8.0Amp.	6.5Amp.	6.0Amp.
Power	600Watt	600Watt	616Watt	720Watt	600Watt	600Watt	720Watt	715Watt	780Watt
Efficiency	90%	90%	90%	90%	90%	90%	90%	90%	90%
Dimensions (W x H x D)	171x224x215	171x224x215	171x224x215	171x224x215	171x224x215	171x224x215	171x224x215	171x224x215	171x224x215
Weight	approx. 16.56kg	approx. 16.56kg	approx. 16.56kg	approx. 16.56kg	approx. 16.56kg	approx. 16.56kg	approx. 16.56kg	approx. 16.56kg	approx. 16.56kg
Order-No.	583313	583325	583329	583337	583349	583361	583391	5833112	5833131