

product specification

radio interference suppression filter: **SFK7024 / SFK7060**



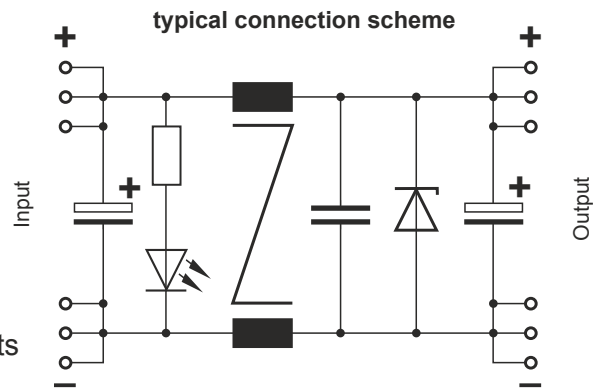
- Integrated overvoltage protection
- extra slim enclosure design, only 79,0mm wide
- Self-extinguishing polycarbonat housing in acc. to UL94V1
- Operating status shown by LED
- Suitable for the tropics - epoxy resin casted
- Safety acc. to VDE, EN, UL, CSA

Application

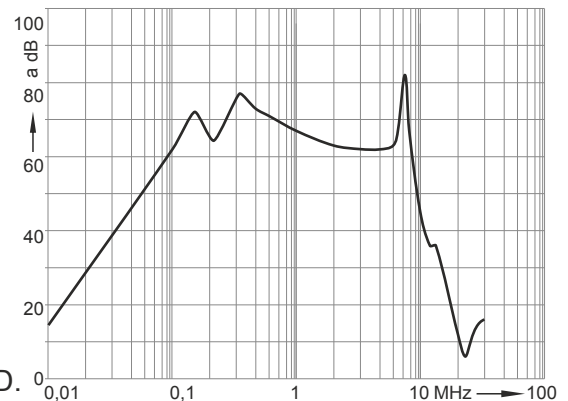
Filters of the SFK7024 and SFK7060 series are used to suppress circuit-bound interferences in DC supply lines or DC control lines with a voltage of 24VDC or even 60VDC.

Interference pulses or interference voltages are dampened independently from their point of origin.

The integrated overvoltage protection efficiently diverts unwanted inductive transients.



Insertion loss at 50 Ω



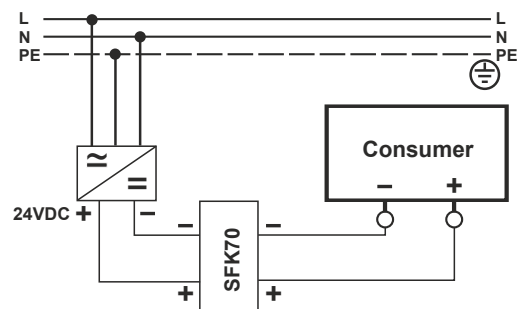
Functional principle

The filters of the SFK70 series are connected between the DC voltage supply and the consumer, which is susceptible to interference.

Because of the combination of one core chokes, electrolytic and film capacitors an effective suppression over a broad frequency range is achieved (typical connection scheme see above).

The normal operating status is shown by the green LED.

connection example



Design

Integrated into a robust aluminium housing for mounting on a rail acc. to DIN 46277.



Please read the data sheets and the operating instructions for further information.