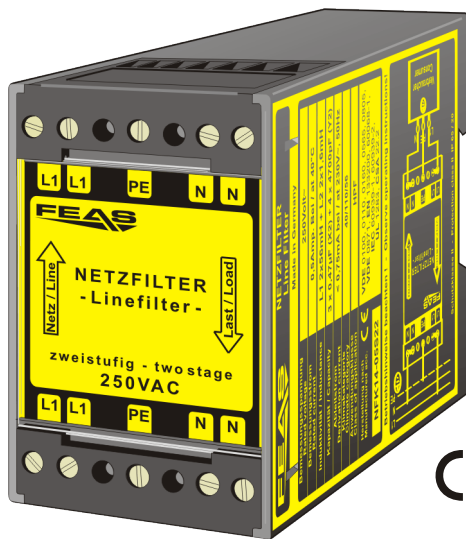


# product specification

## radio interference suppression filter: **NFK14-05S22**



- High insertion loss over a broad frequency range
- Optimised against interferences in the lower frequency response
- 2-Stage design in order to improve the filter effect
- Self-extinguishing polycarbonate housing acc. to UL94V1
- Suitable for the tropics - epoxy resin casted
- Safety acc. to VDE, EN, UL, CSA

### Application

Filters of the NFK14-05S22 series are used to suppress circuit-bound interferences in AC power lines. Interference pulses or interference voltages are dampened independently from their point of origin. To improve the filter effect they are designed with 2 stages, furthermore these filters are optimised against symmetric interferences and have a high insertion loss on a broad frequency range.

### Functional principle

The filters of the NFK14-05S22 series are connected between the AC voltage supply and the consumer, which is susceptible to interference.

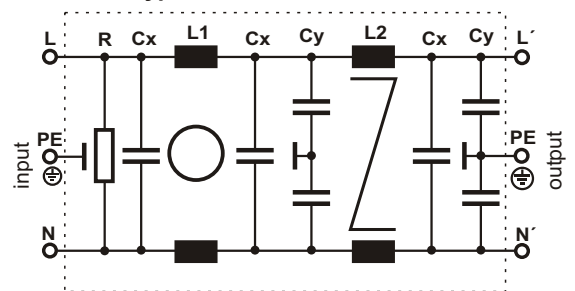
Because of the combination of chokes and film capacitors of the classes "X" and "Y" an effective suppression over a wide frequency range is achieved.

By the use of a ring core double choke and a one core double choke the filters are optimised for eliminating interferences in lower frequency ranges. (typical connection scheme see above).

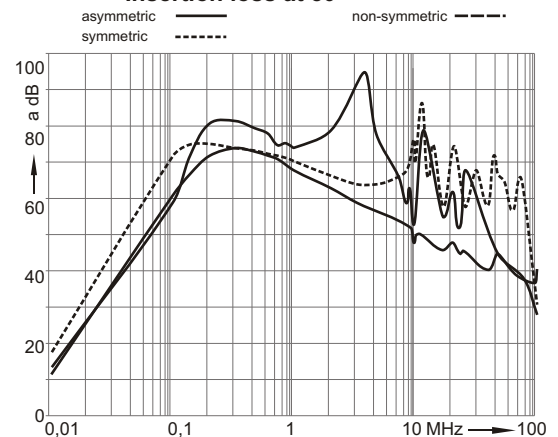
### Design

Integrated into a plastics housing for mounting on a rail acc. to DIN 46277.

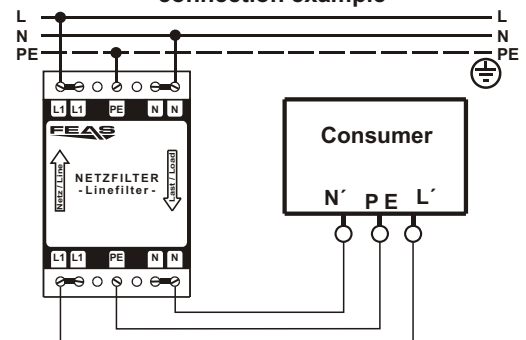
typical connection scheme



Insertion loss at 50



connection example



Please read the data sheets and the operating instructions for further information.