

product specification

radio interference suppression filter: **NFK870-16A32**



- High insertion loss over a broad frequency range
- Small enclosure design
- Using aluminium enclosure in order to improve the heat conduction
- Suitable for the tropics - epoxy resin casted
- Safety acc. to VDE, EN, UL, CSA

Application

Filters of the NFK870-16A32 series are used to suppress circuit-bound interferences in three-phase AC power lines without neutral conductor.

Interference pulses or interference voltages are dampened independently from their point of origin.

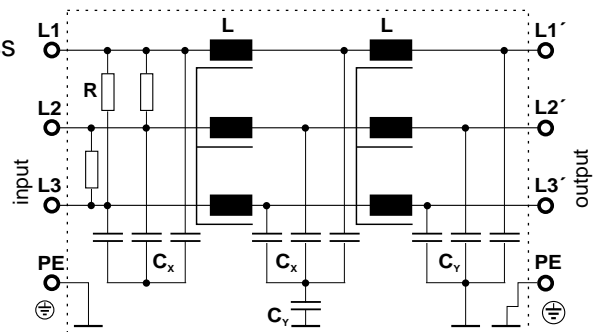
To improve the filter effect they are designed with 2 stages, furthermore these filters are optimised against asymmetric interferences and have a high insertion loss on a broad frequency range.

Functional principle

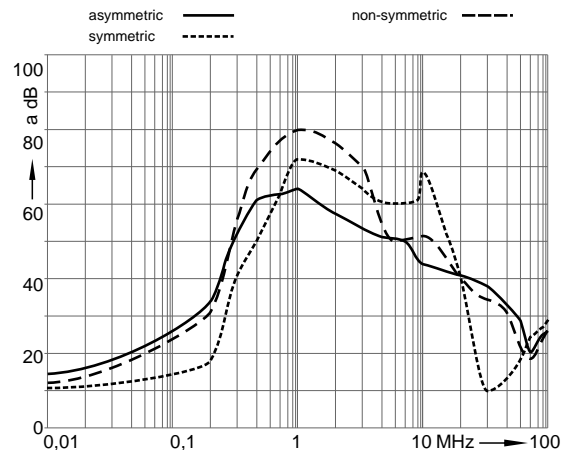
The filters of the NFK870-16A32 series are connected between the AC voltage supply and the consumer, which is susceptible to interference.

Because of the combination of chokes and film capacitors of the classes "X" and "Y", an effective suppression on a wide frequency range is achieved (typical connection scheme see above).

typical connection scheme



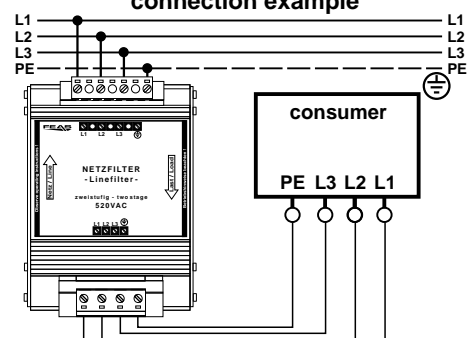
Insertion loss at 50



Design

Integrated into an aluminium housing for mounting on a rail acc. to DIN 46277 or wall mounting with screws.

connection example



Please read the data sheets and the operating instructions for further information.