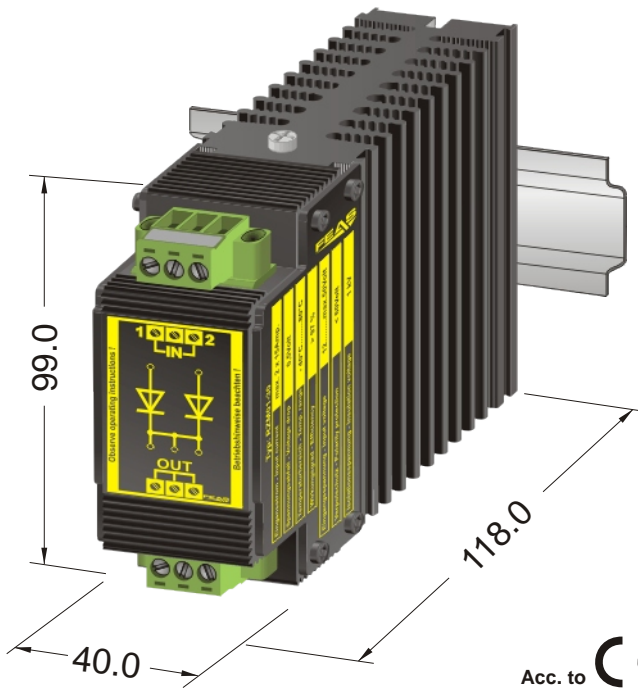


Product specification

Redundancy module RZM01-30



- Compact modular design, modul width 40 mm, integrated colling element
- For an easy set-up of N+1 redundancies
- Nominal input voltage $5V_{DC} \dots 50V_{DC}$
- Nominal input current up to 2 x 15A
- Nominal output current up to 1x 30A
- Vibration proof, suitable for the tropics - epoxy resin casted
- Suitable to be fitted on 35mm DIN-rail
- Compliant with EMI-Regulations
- Safety acc. to VDE, EN, UL, CSA

Acc. to

Application

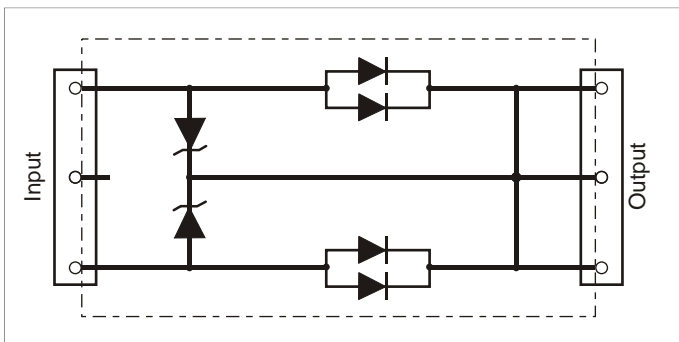
FEAS Redundancy modules of the series RZM provide the decoupling of two identical DC-Powersupplies in order to either increase the output power or achive a higher degree of system stability.

In case of mains power failure or an internal defect of one power supply, the other power supply is still feeding the DC-circuit without interruption. For this, the performance of the used power supplies are calculated in a way, that all consumers can be powered with just one DC-power supply.

With this method, the operational reliability of the whole system is effective enhanced.

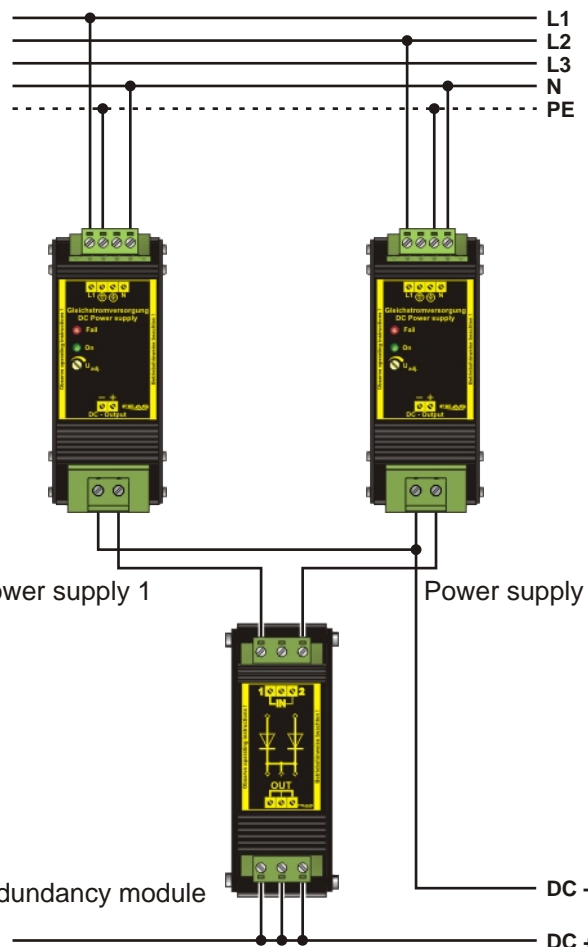
Operational principle

By using of two diodes, the power supplies will be seperated from each other.



Version

Installed and completely potted in an aluminum case for direct mounting on 35mm DIN-rail.



Please read the data sheets and the operating instructions for further information!



Postfach 1521
D - 22905 Ahrensburg

Telefon: +49 4102 42082
Telefax: +49 4102 40930

E-mail : contact@feas.com
Internet: www.feas.com