

product specification

radio interference suppression filter: **NFK732-4A21**



- High insertion loss over a broad frequency range
- little space required due to slim enclosure design
- housing optimized for use in distribution panels
- Suitable for the tropics - epoxy resin casted
- Safety acc. to VDE, EN, UL, CSA

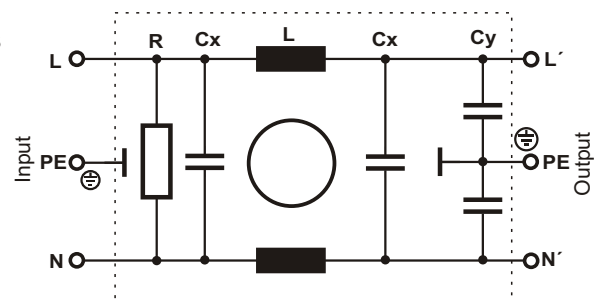
Application

Filters of the NFK732-4A21 series are used to suppress circuit-bound interferences in AC power lines.

Interference pulses or interference voltages are dampened independently from their point of origin.

The filters are built with 1 stage and have a high insertion loss on a wide frequency range.

typical connection scheme

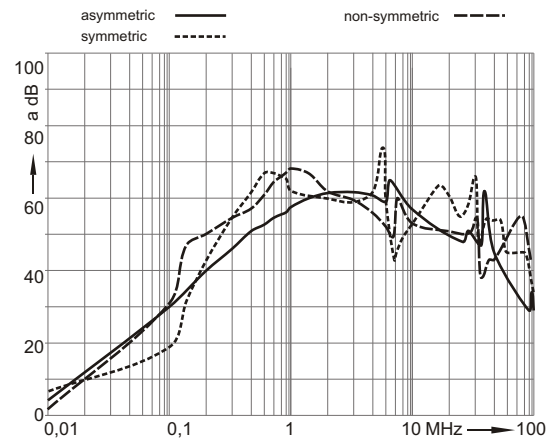


Functional principle

The filters of the NFK732-4A21 series are connected between the AC voltage supply and the consumer, which is susceptible to interference.

Because of the combination of chokes and film capacitors of the classes "X" and "Y", an effective suppression on a wide frequency range is achieved (typical connection scheme see above).

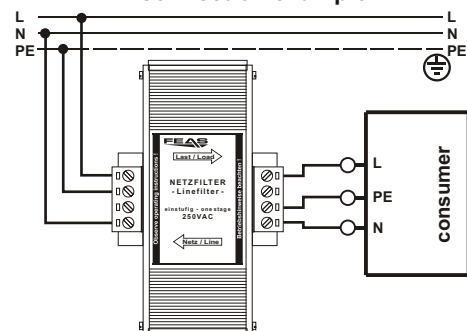
Insertion loss at 50



Design

Integrated into a aluminium housing for mounting on a rail acc. to DIN 46277 or wall mounting with screws.

connection example



Please read the data sheets and the operating instructions for further information.