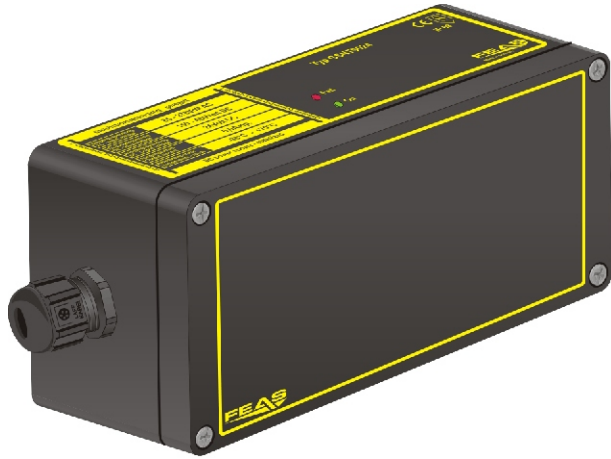


Switch mode power supply type GSNT90

Technical data

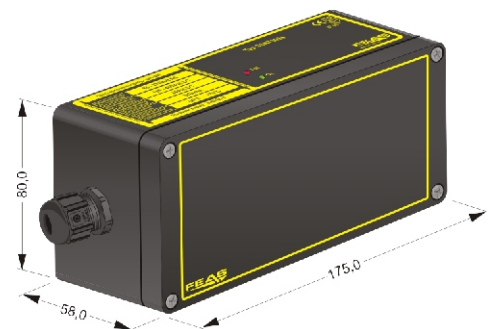


CE - compliant

- Enclosure fullfills protective class IP68
- Output separated according to VDE0551
- Extra low safety potential PELV (EN 60204), SELV (EN 60950)
- Overload- and open-circuit protected
- Short circuit proof
- Parallel connection possible
- Reverse voltage protection at the output
- Suitable for the tropics - Epoxy resin casted
- Operating status shown by LED
- Safety acc. to VDE, EN, UL and CSA

| Input data | |
|-------------------------------------|--|
| Input voltage AC | 85 - 270 V _{AC} (0-400 Hz) |
| Input voltage DC | 120 - 400 V _{DC} |
| Input current at nominal load | at 115 V _{AC} max. 1,7 A / at 230 V _{AC} max. 0,85 A |
| Input current peak | < 18 A at 270 V _{AC} |
| Protective circuit | Transient voltage suppressor varistor |
| Hold-up time | 20ms typ. |
| Output data | |
| Output voltage U _{nominal} | see table as below |
| Output current I _{nominal} | see table as below |
| Current limiting | 1,5 x I _n |
| Residual ripple (20MHz) | < 50 mV _{pp} |
| Control data | |
| Control deviation load | < 200 mV with load variation 10.....90% |
| Control deviation supply | < 10 mV with supply variation ±10% |
| Control time | < 10 ms with load variation 10.....90% |
| Operating data | |
| Duty circle | 100% |
| Operating temperature range | -40°C to +70°C |
| Derating | from 40°C |
| Storage temperature range | -40°C to +105°C |
| Cooling | selfcooling recommended respective distance 15 mm each |
| Safety devices | |
| Input fuse | at 115V _{AC} 3,15 A delayed / at 230V _{AC} 1,6 A delayed |
| Output fuse | not necessary, short circuit proof |
| Overload protection | integrated into device |
| MTBF | >380.000 h |
| Safety data | |
| Test voltage transformer | 5 kV _{AC} according to VDE 0551 |
| High voltage resistance | primary- / secondary circuit 3,75 kV _{AC} acc. to VDE |
| Degree of EMI suppression | according to VDE 0871B, EN 55022/B |
| Protection class | class 1, with PE connection (EN 60950) |
| Extra low safety potential | PELV (EN60204), SELV (EN 60950) |
| Ambient humidity | 100% relative humidity, yearly average dewing allowed for use in tropical atmosphere |
| Protection class enclosure | IP 68 |
| Protection class terminals | - |
| Vibration proof | >30g at 33Hz in X,Y and Z, acc. to IEC 60068-2-27 |
| Applied design specifications | |
| according to VDE | VDE 0100,0110,0113,0140-1,0551,0160/W2,0806 |
| IEC | IEC 60950,IEC61000-6-1-2-3-4,IEC60068-2-3, IEC 60068-2-11-52,IEC 60529,IEC 380 |
| EN | EN60950,EN61140,EN61000-6-1,EN61000-6-2, EN61000-6-3,EN61000-6-4,EN55022, EN55011, EN61000-3-3,EN50204, EN60204, EN60529,EN61000-4-2-3-4-5-6-8-11, EN60068-1, CSA / UL |
| CSA / UL | CSA-C 22.2 / UL60950, UL508, UL1950 |
| Mechanical data | |
| Mounting | Wall mounting with screws 4mm |
| Dimensions W x H x D | 175mm x 80mm x 58mm |
| Weight | approx. 1,20 kg |

| Type | GSNT9012 | GSNT9024 | GSNT9048 |
|------------------------|-----------------------------|-----------------------------|-----------------------------|
| Order number | 586612 | 586624 | 586648 |
| Nominal output Voltage | 12 V _{DC} | 24 V _{DC} | 48 V _{DC} |
| Range of adjustment | 11,0 - 16,0 V _{DC} | 22,5 - 30,0 V _{DC} | 45,0 - 60,0 V _{DC} |
| Nominal output current | 8,0 A | 5,0 A | 2,5 A |
| Power | 96 Watt | 120 Watt | 120 Watt |
| Efficiency | 85% | 88% | 89% |
| Dimensions (W x H x D) | 175x80x58 | 175x80x58 | 175x80x58 |
| Weight | approx. 1,20 kg | approx. 1,20 kg | approx. 1,20 kg |



FEAS

P.O. Box 1521
D - 22905 Ahrensburg

Phone: +49 4102 42082
Fax: +49 4102 40930

E-mail : contact@feas.com
Internet: www.feas.com